



## Highlands Mailbox & Stand Design Specifications

Prefabricated Installation .....	2
Construction Tips .....	2
Feedback .....	2
The Paint .....	2
Mailbox .....	3
Mailbox Manufacturer & Model .....	3
Mailbox Mounting .....	3
Stand/Post Specifications .....	4
Decorative Top .....	4
Under-box slot .....	5
Base Stand .....	6
Right Angle 4x4 .....	7

## Prefabricated Installation

If you prefer not to build your own mailbox, and would like to have someone install a prebuilt mailbox contact Jerry Ester at 796-2343

## Construction Tips

- Build the mailbox out of the ground, it's much easier to paint and assemble.
- Use salt-treated wood for all components. It lasts longer than untreated wood.
- Use the galvanized screws/nails for assembly. Non-galvanized screws/nails will rust quickly.

## Feedback

If something is not clear in this document please tell us. Contact the HCA Board through the Highlands website.

## The Paint

You use approximately one half of a quart to paint the mail stand twice. Valspar paint can be purchased at Lowes.

Valspar  
Severe Weather Base 1  
Historic Tan Exterior Satin

(NOTE: This is not the "Severe Weather" brand)

The label printed for this tint is depicted below.



# Mailbox

## *Mailbox Manufacturer & Model*

The mailbox is made by the Solar Group. The mailbox is sold at Lowes.

Amazon Link: [http://www.amazon.com/Solar-Group-Jumbo-Mailbox-ST200B00/dp/B000CSK3RA/ref=sr\\_1\\_2?ie=UTF8&s=hi&qid=1217792730&sr=1-2](http://www.amazon.com/Solar-Group-Jumbo-Mailbox-ST200B00/dp/B000CSK3RA/ref=sr_1_2?ie=UTF8&s=hi&qid=1217792730&sr=1-2)

Manufacturer Link (Model #ST20B):  
<http://www.thesolargroup.com/steelpm.html>

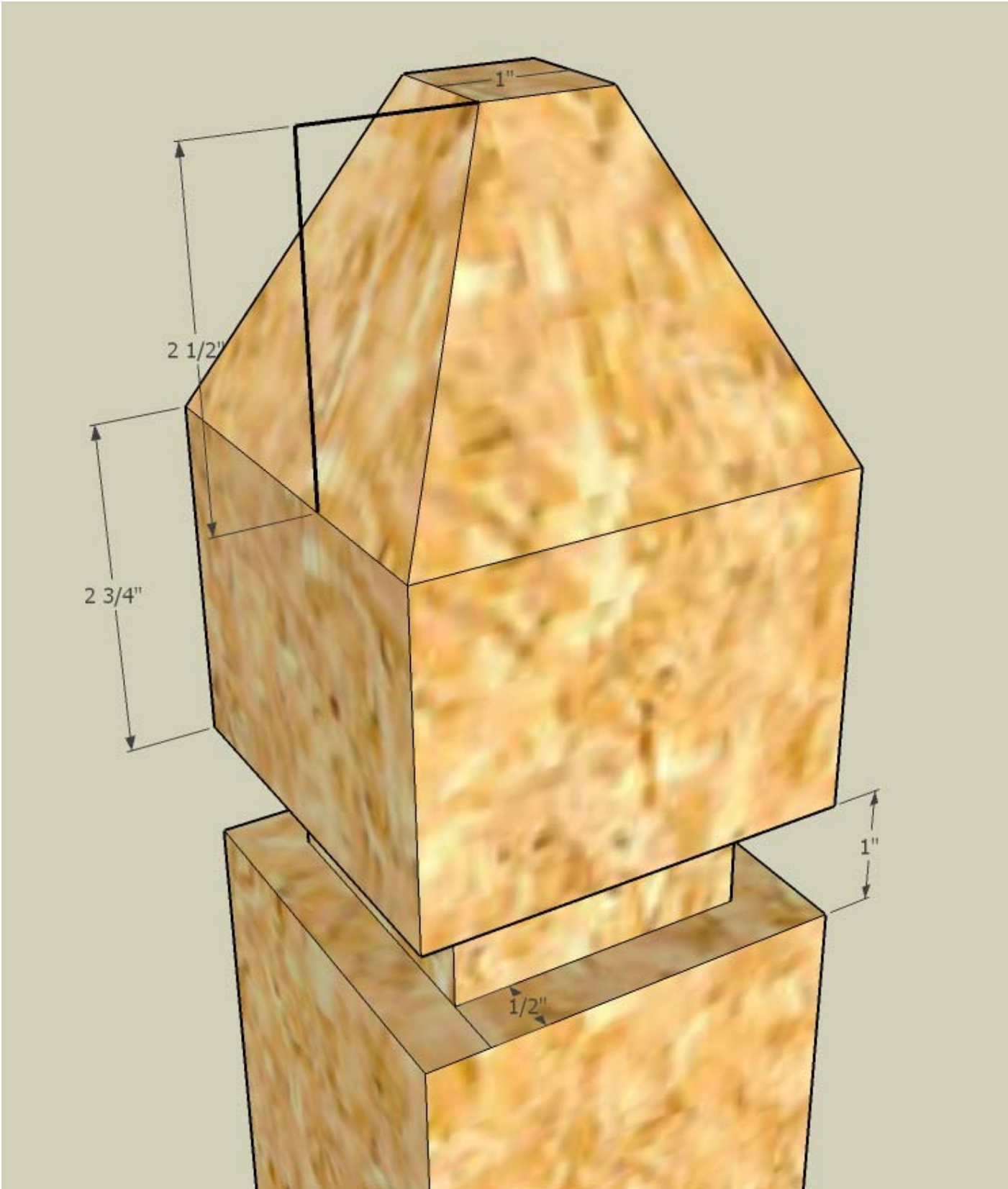


## *Mailbox Mounting*

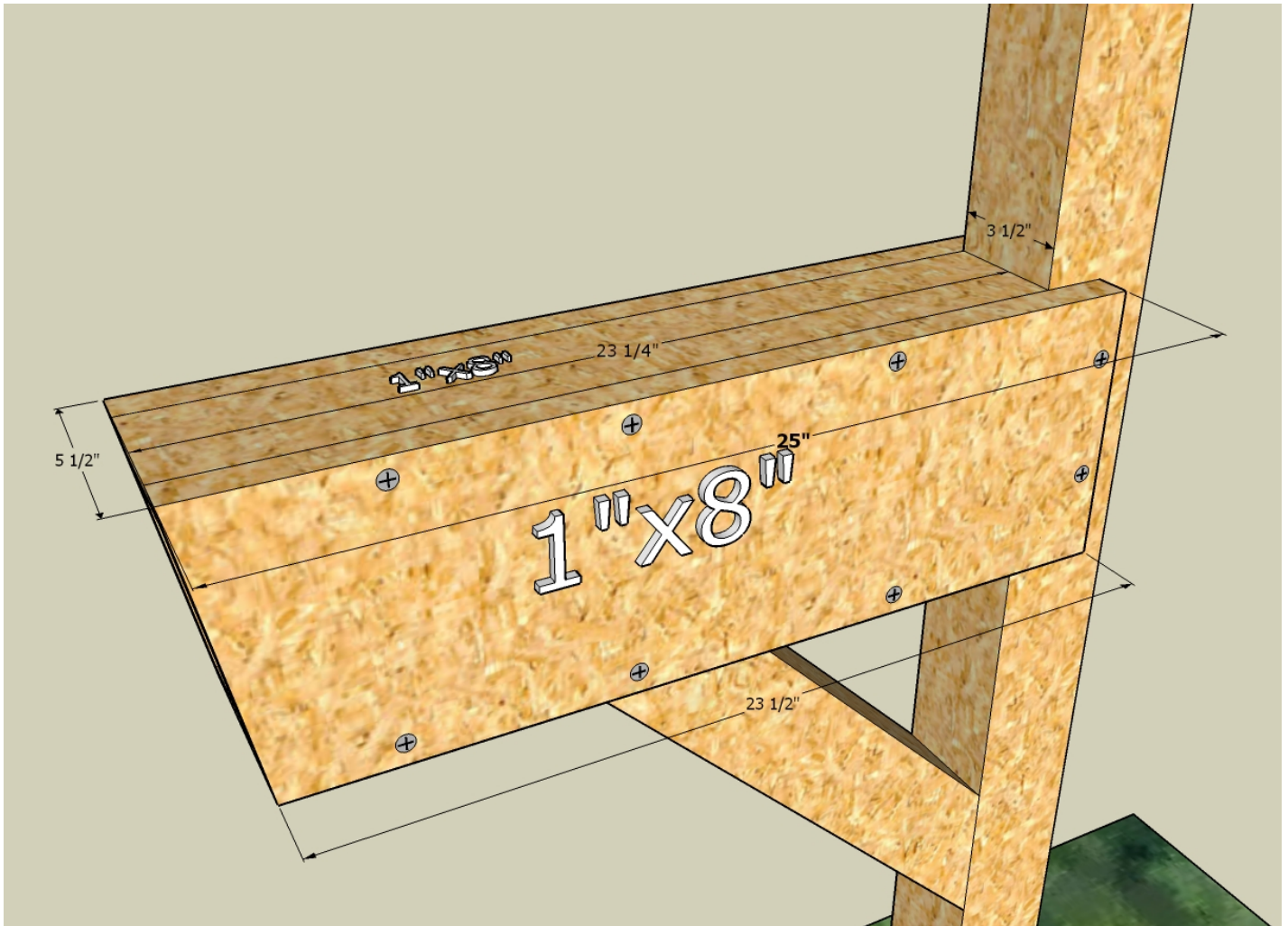
You may choose any mailbox mounting method. An easy and cost affordable method is to nail 2 pieces of wood on top of the under slot than span the wide of the mailbox underside.

# Stand/Post Specifications

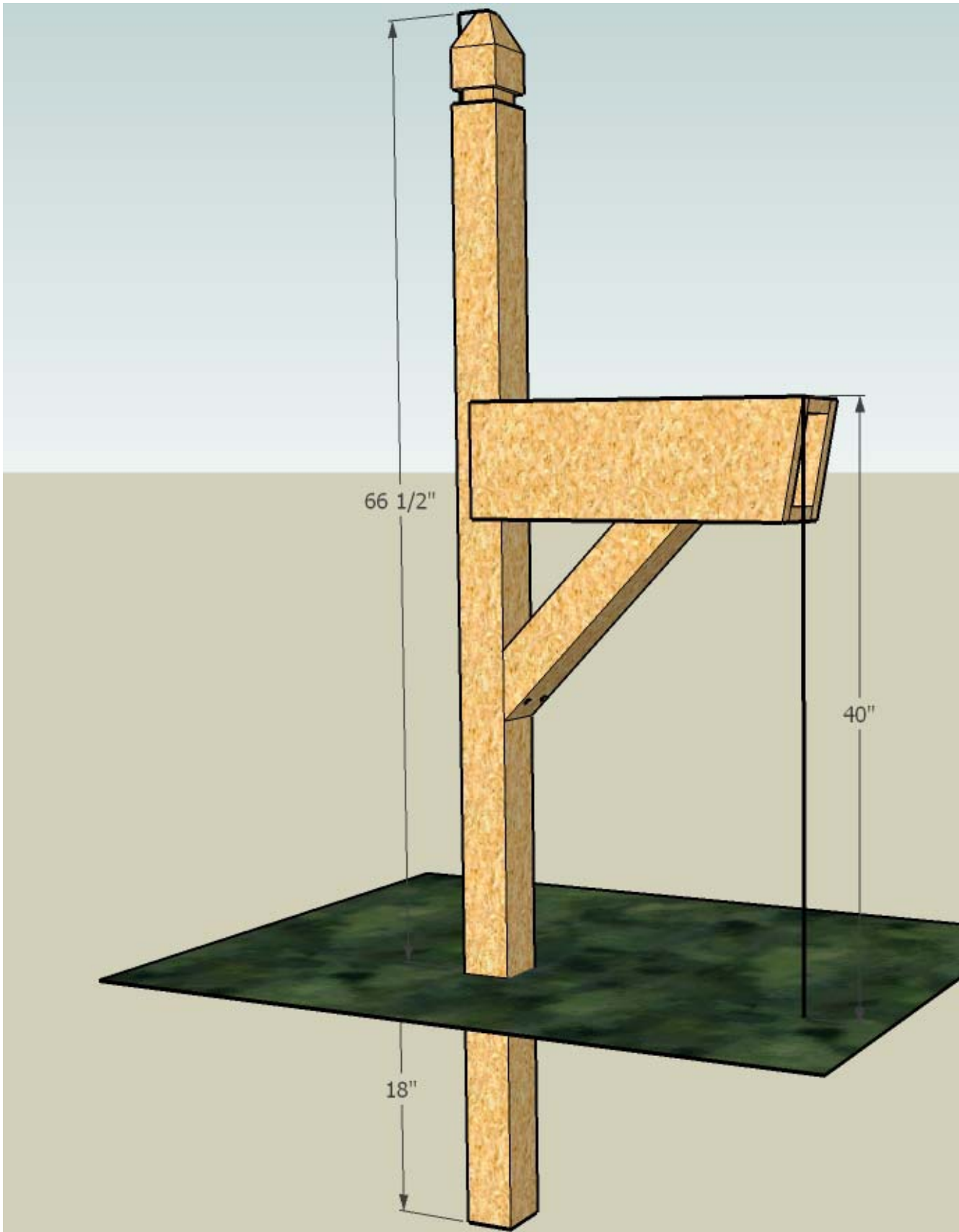
## *Decorative Top*



***Under-box slot***



**Base Stand**



## Right Angle 4x4

